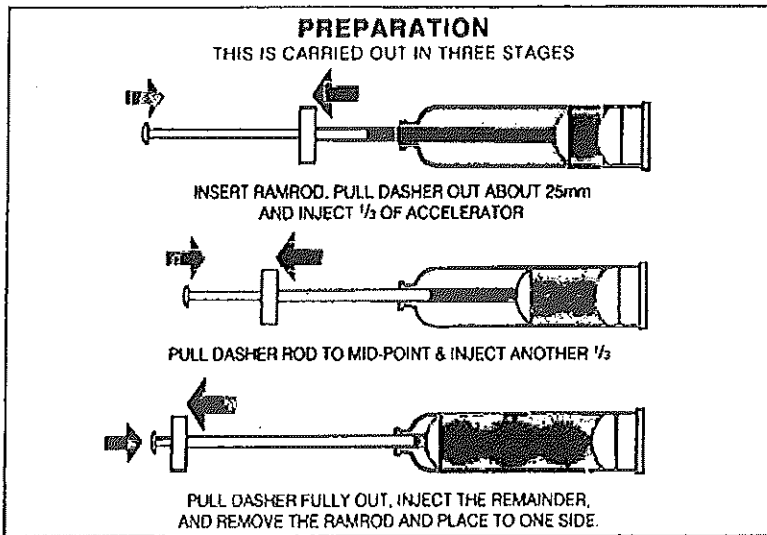
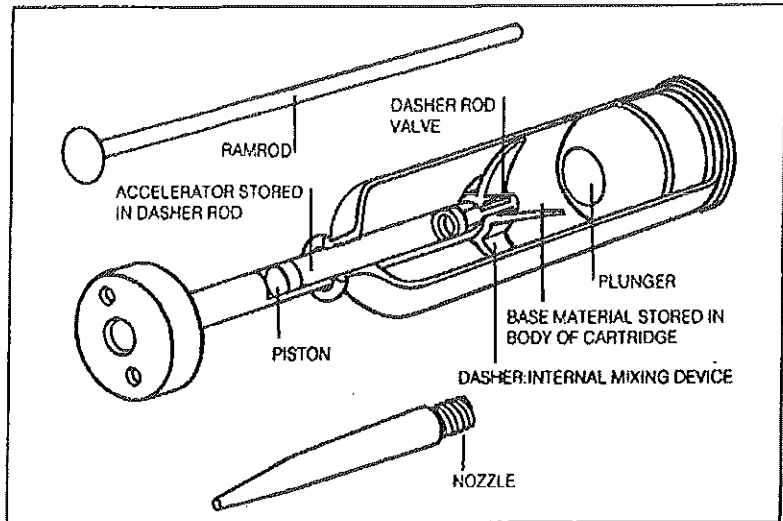


How to use the Semkit® Package

Semkits®

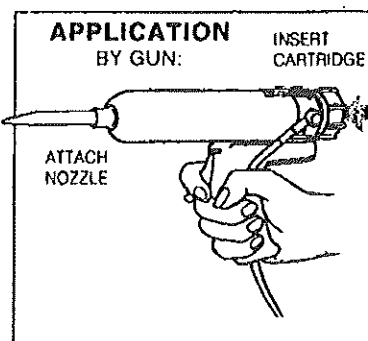
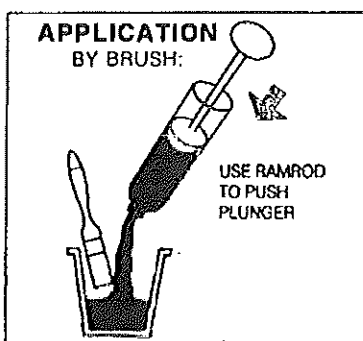
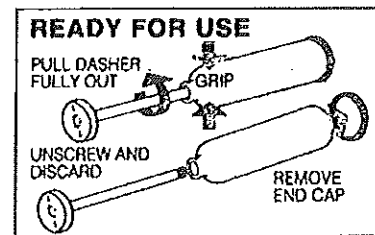
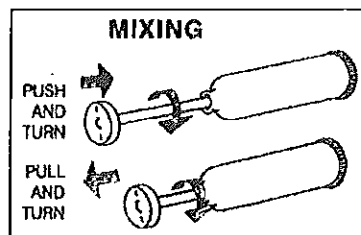
The Semkit® package consists of a polyethylene cartridge fitted with a plunger at one end and a hollow dasher rod extending through the throat at the other end and into the inside of the cartridge. The base compound is stored in the cartridge. The accelerator is contained in the hollow dasher rod which is closed on the inside end by a valve and a multi-arm agitator, and by a piston at the outer end.



To use the Semkit®, a ram rod is inserted into the dasher rod and pressed against the piston. The resulting pressure unseats the valve allowing the accelerator to discharge into the base. The accelerator should be dispersed in this way at several points throughout the base compound to ensure even distribution. The dasher rod is then pushed and pulled the length of the cartridge for the number of strokes shown on the outer packaging label.

NOTE A stroke or cycle is one full in and out movement with 1/4 clockwise turn of the dasher rod.

When the mixing is complete the dasher rod is fully extended, the cartridge is gripped to restrain the agitator blade and the dasher rod is unscrewed and discarded.



A nozzle is then screwed into the neck of the cartridge which is loaded into a sealant gun for fillet and other detailed application. Alternatively, Class A products can be discharged into a suitable container for brush application by pushing the plunger with the ram rod.

The Semkit[®] Package

A clean, reliable, economic way of using small amounts of two part sealants

What is the Semkit[®] Package?

The Semkit[®] Package is a disposable plastic cartridge which stores, mixes and applies two component materials. The components are pre-measured and filled into the separate compartments within the cartridge. When ready to use the material you simply activate the components, mix the material inside the same cartridge and apply direct from the Semkit[®] package or place the cartridge into an application gun.

Why you should use the Semkit[®] Package

Clean

- No exposure to chemicals during transfer of accelerator
- Reduces the possibility of coming into direct contact with the material during mixing

Reliable

- Each component is pre-measured to the correct ratio
- There is no chance of the wrong combination being mixed
- Reduces risk of air entrainment
- Giving the proper number of mixing strokes ensures a properly mixed product

Economic

- Mixing a Semkit[®] package is faster than mixing in a tin
- There is no transferring of material to empty cartridges
- All the material in the Semkit[®] package can be used.



Darlington Road
Shildon
Co Durham
DL4 2QP
Tel: (01388) 772541
Fax: (01388) 774373