

### Semco® Model 1250 battery powered dispensing gun



#### Description

PPG SEMCO® Model 1250 is a battery powered dispensing gun intended for the application of sealants, adhesives, potting compounds, and other materials packaged in *Semco* cartridges or SEMKIT® Packages. The unit is designed for usage in the aerospace and electronics industries and offers the convenience of a light-weight, powered dispensing solution without the hassle of an air hose. Each unit comes with (2) 12V lithium-ion batteries, a 2.5 oz. threaded plastic retainer, a 6 oz. threaded plastic retainer, a charger base and cord. Charger cords are readily available with electric plugs to fit US, UK, EU or AU outlets.

#### Recommendations

The *Semco* Model 1250 dispensing gun is optimized for by-pass free dispensing when using materials packaged in *Semco* cartridges with a wiper plunger (WP) or P-plungers installed. Typically, pre-mixed and frozen sealants are packaged with a black P-plungers and this dispenser is compatible when the appropriate ram head is installed. Aerospace sealants supplied in packages other than *Semkits* can be evaluated by the *Semco* engineering team to advise on the best possible solution for by-pass free dispensing.

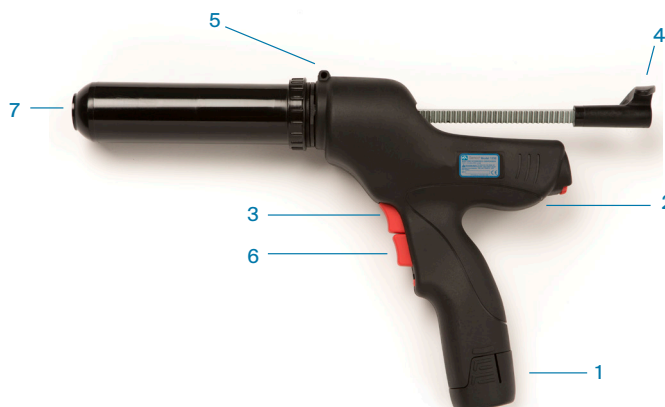
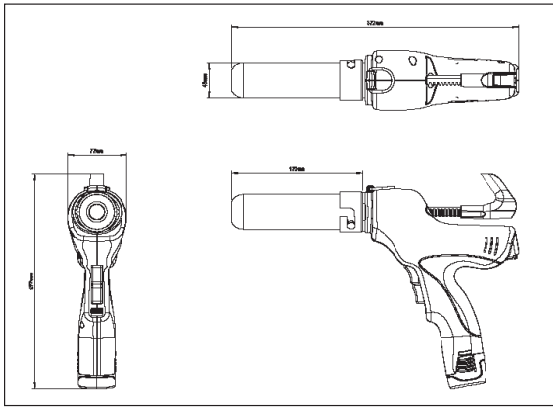
#### Accessories

PPG's aerospace business provides precision molded *Semco* brand cartridges, plungers, nozzles, sem-luer adapters, and sem-needles. When these accessories are used in conjunction with the *Semco* Model 1250 dispensing gun, the exact amount of material can be dispensed at the precise location required.

#### Features

- Light weight (less than 3 lb)
- By-pass free operation for *Semkits* using *Semco*'s patented expandable piston
- Optional clear retainers available for product status checks without having to remove the retainer (not available anywhere else).
- Ergonomic design – optimizes the weight balance in operators' hands
- Improved portability, no air hose required
- 60 minutes to completely charge 12V lithium-ion battery
- Fully charged battery can dispense between 50 and 60 six ounce *Semco* cartridges
- Variable dispensing speed control on rear of gun from 1 (low) to 9 (high)
- 2.2 (kN) stall force

## Semco® Model 1250 battery powered dispensing gun



### Operation

Before using the *Semco* Model 1250 dispensing gun, operators will be required to charge the 12v lithium-ion battery for the recommended 60 minutes. Remove the battery from the charger and insert into the bottom of the dispensing gun handle (see #1) until it clicks, indicating the battery is fully-seated. Adjust the dispensing dial on the rear of the gun (see #2) to the preferred dispensing speed 1 - 9 (1 = slowest, 9 = fastest). Completely depress the top trigger on the handle (see #3) with one hand and pull the push-rod (see #4) all the way to the back of the dispensing gun with the other hand. Insert *Semco* cartridge into the retainer (see #7), affix desired nozzle, and insert the loaded retainer onto the dispensing gun (at #5), rotating clockwise. To begin dispensing, completely depress the bottom trigger on the handle (see #6). When all of the material has been dispensed from the cartridge, depress the top trigger (see #3), and turn the retainer counterclockwise which releases the retainer from the dispensing gun. Remove the nozzle and the disposable cartridge. Dispose of leftover material in accordance with local regulations and instructions on the Safety Data Sheet (SDS). For cleaning the dispenser or pistons, use IPA (or similar approved solvent) and clean cloth to wipe down. Harsh solvents are not recommended. Regularly check the piston for cured sealant build up or contamination for best by-pass free operation results.

Part Number	Description	Part Number	Description
235300	Model #1250 US battery dispensing tool	235308	Drive rod, 2.5 oz.
235301	Model #1250 EU battery dispensing tool	235307	Cartridge nut
235302	Model #1250 UK battery dispensing tool	235306	Retainer mount w/pin
235312	Charger w/US cord	235475	Expandable piston, black - <i>Semco</i>
235313	Charger w/EU cord	235476	Expandable piston, blue - others
235314	Charger w/UK cord	235481	Dispensing kit, 1/10 gallon battery gun
235315	Charger w/AU cord	235482	Dispensing kit, 20 oz. battery gun
229779	2.5 oz. Nylon retainer, black	235483	Dispensing kit, 32 oz. battery gun
229780	6 oz. Nylon retainer, black	235479	2.5 oz, plastic retainer, clear - optional
235310	Drive rod handle	235480	6.0 oz, plastic retainer, clear - optional
235309	Drive rod, 6 oz.		

Semco and Semkit are trademarks of PRC-DeSoto International Inc., registered with the U.S. Patent Office.

All recommendations, statements, and technical data contained herein are based on tests we believe to be reliable and correct, but accuracy and completeness of said tests are not guaranteed and are not to be construed as a warranty, either expressed or implied. User shall rely on his own information and tests to determine suitability of the product for the intended use and assumes all risks and liability resulting from his use of the product. Seller's and manufacturer's sole responsibility shall be to replace that portion of the product of this manufacturer which proves to be defective. Neither seller nor manufacturer shall be liable to the buyer or any third person for any injury, loss, or damage directly or indirectly resulting from use of, or inability to use, the product. Recommendations or statements other than those contained in a written agreement signed by an officer of the manufacturer shall not be binding upon the manufacturer or seller.

Printed in the U.S.A

PRC-DeSoto International, Inc.  
12780 San Fernando Road  
Sylmar, CA 91342  
Telephone (818) 362-6711  
Toll Free (800) AEROMIX  
www.ppgaerospace.com

Issue Date: 01/20  
Supersedes: 04/19  
Lit: 4404